

Fine View

User Manual

COLOR VIDEO DOOR PHONE CDV-35HM



www.commax.com

COMMAX Co.,Ltd.



- Thank you for purchasing COMMAX products.
- Please carefully read this User's Guide (in particular, precautions for safety) before using a product and follow instructions to use a product exactly.
- The company is not responsible for any safety accidents caused by abnormal operation of the product.



Contents

1. Greetings	1
2. Warnings and cautions	2
3. Part Names and Functions	4
4. Operation	5
5. Installation and Wiring	9
6. Package Contents	10
7. Specification	10
8. Troubleshooting	11

	Instructions for users
Level-B product	The product is registered for electromagnetic compatibility for household use and can be used in all areas including residential areas.



1. Greetings

- Thank you very much for purchasing of COMMAX products.
- Please read carefully this user manual and follow its rules.
- This intercom can be used in offices, and shopping outlets, and provide convenience to use communication on long distances.

2. Warnings and caution

Please follow the things described below in order to prevent any danger or property damage.

	<p>Warning</p>	<p>It may cause a serious damage or injury if violated.</p>		<p>Prohibition.</p>
	<p>Caution</p>	<p>It may cause a minor damage or injury if violated.</p>		<p>No disassembly</p>
				<p>No touch</p>
				<p>Must follow strictly.</p>
				<p>Shows plugging out the power cord without an exception</p>
				<p>Shows the warning and caution for an electric shock.</p>
				<p>Shows the warning and caution for a fire.</p>

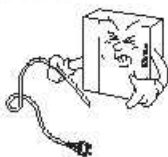
Warning

Power & Installation

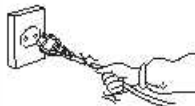
Please don't use several products at the same time on one power socket.
 · It may cause a fire due to an abnormal overheating.



Please don't bend the power cable excessively or it may cause an electric shock.
 · fire when using a damaged power cable.



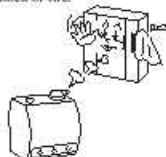
Please don't handle the power cable with a wet hand.
 · It may cause an electric shock.



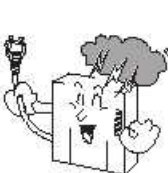
Please plug out the power cable from the socket when not using it for a long period of time.
 · It may shorten the product lifespan or cause a fire.



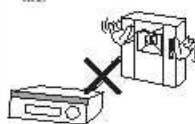
Please don't install the product in the place where there is much oil, smoke or humidity.
 · It may cause an electric shock or fire.



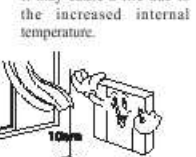
Please don't install the product with the lightning and thunder.
 · It may cause an electric shock or fire.



Please don't use and connect this product with other products with different rated voltage.
 · It may cause a disorder or fire.



When installing the product that generates heat, please install the product away from the wall (10cm) for the ventilation.
 · It may cause a fire due to the increased internal temperature.



Warning

Cleaning & Use

Please don't disassemble, repair or rebuild this product arbitrarily (please contact the service center if a repair is needed).

- It may cause an electric shock or fire.

My responsibility

If an abnormal sound, burning smell or smoke is coming out of the product, please plug out the power cable and contact a service center.

- It may cause an electric shock or fire.

Please don't insert any metallic or burnable materials into the ventilation hole.

- It may cause an electric shock or fire.

Prohibition

Please use only the designated batteries for the products of using DC power.

- It may cause an electric shock or fire.

Caution

Power & Installation

Please plug the power cable firmly into the inner end

- It may cause a fire.

Please hold the plug tightly when unplugging the power cable (a part of the copper wire may be disconnected if the grabbing is only made on the cord when pulling out the cable).

- It may cause an electric shock or fire.

When connecting the power cables after cutting the cable, please install the product with power off

- It may cause an electric shock or fire.

When installing the product, please fix it firmly while using the wall-mounting unit and screws.

- It may cause an injury from the falling object.

Please be careful when using an AC circuit breaker since there is a possibility of an electric shock.

Please check the use voltage and current for the DC-only products and use the appropriate rectifier.

- It may cause a fire.

Please avoid direct rays of the sun or heating devices at a time of installation.

- It may cause a fire.

Please don't install the product on an unstable place or small support board.

- It may cause an injury if it falls down while in use.

Cleaning & Use

When cleaning the product, please rub it with a soft and dry cloth after plugging out the power cable. (Please don't use any chemical products such as wax, benzene, alcohol or cleanser.)

Prohibition

Please don't drop the product on the ground and don't apply a shock.

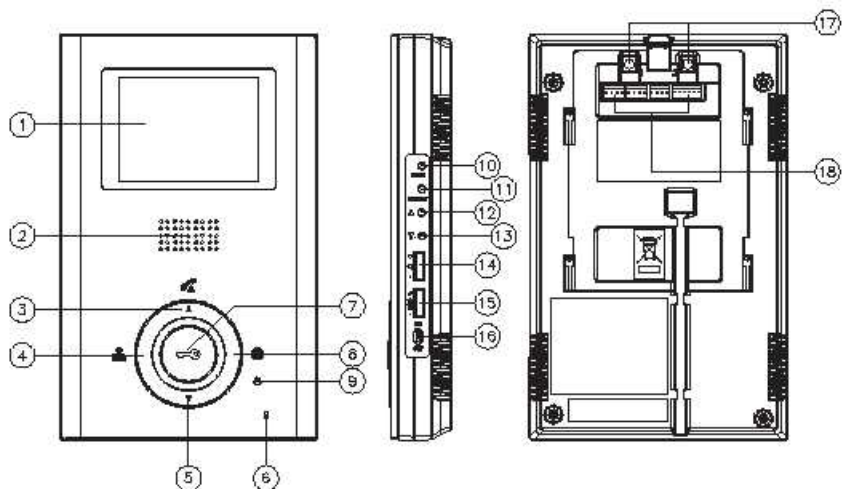
- It may cause a failure.

Prohibition

Please use the designated connection cable within the maximum calling distance designated for the product

- It may reduce the product performance.

3. Part names and functions



No.	Part Name	No.	Part Name	No.	Part Name
1	Monitor	7	Door Open Button	13	DOWN Button
2	Speaker	8	Interphone Button	14	Calling volume Adjustment
3	Talk Button	9	Power Indicator (LED)	15	Talking volume Adjustment
4	Monitoring Button	10	Menu Button	16	Power Switch
5	No function	11	Select Button	17	No function
6	Microphone	12	UP Button	18	External Connection Terminal

* Calling Volume Adjustment : Use to adjust calling sound from door unit.

* Talking Volume Adjustment : Use to adjust talking volume with door unit.

* You can adjust brightness, contrast, color of display with menu, select buttons.

* Camera setting : Possible to use 2 cameras, by pulling out the jumper on back of monitor.

*** Note : Monitor is set to use 1 camera when it is manufactured.**




→ This product is designed only for connecting with color door cameras.

In case of connecting with B/W door cameras, malfunction could occur as well as delayed reaction time.





4. Operation

■ Visitor calls


1. When a visitor presses the talk button on the camera, the monitor emits the chime melody and shows the visitor's image on the screen.
2. Press the TALK() button to talk with the visitor.
(Maximum 60 seconds are given to talk with the visitor.)
3. To finish talking with a visitor, press TALK() button to turn off the screen and quit the talk mode(return to stand-by mode).
4. While you are talking with the visitor, press DOOR OPEN() button to open the door.
When the door is opened, you will hear beep sound.

■ Talking with interphone.

1. Press TALK button in stand-by status. You will hear beeping sound
Press INTERPHONE() button to call interphone. You are able to talk after the interphone is picked up. (Maximum 60 seconds are given to talk with interphone.)
2. In the case that the interphone calls the monitor, electronic melody sounds from the monitor.
Press TALK() button to talk with interphone.
3. When you receive a call from door camera while the monitor and interphone are in calling, the monitor shows the visitor's image, and it is available to talk between monitor, interphone and door camera.

Note : When you finished to talk with visitor or interphone, you must press the TALK button to turn off the talking mode.

■ Monitoring

1. Press MONITOR() button to see image from the door camera.
(Monitoring is continued for 30 seconds.)
2. You may connect up to 2 cameras, and when you press MONITOR button, the monitor shows Camera #1 > Camera #2 > Turned-off screen in sequence.

■ Adjustment of the brightness or color on the screen.

While on the talking or monitoring mode, you can adjust the display using buttons on right side of the monitor.

1. Press MENU button to see the main menu display.
2. Press UP/DOWN button to move and press SELECT button to enter to the menu.
3. Press UP/DOWN button to adjust the volume.
4. Press SELECT button to save and return to main menu.
5. Press MENU button to quit from menu mode

■ Save of video or image while on monitoring or talking mode.

1. To save as video. (Max. 10 EA, each 5 seconds of videos are saved) Press and hold the SELECT button, to enter RECORD mode. When you enter RECORD mode, the word ' record' is shown up and disappear on right-top side of the screen.
2. To save as picture. (Max. 128 cut of images are saved). Press briefly the SELECT button, to enter CAPTURE mode. When you enter CAPTURE mode, the word ' capture' is shown up and disappear on right-top side of the screen. After saving all 128 images, new image is over-written from the 1st saved image.

■ Watching saved video or image, after monitoring or talking.

1. Press and hold the MENU button on right side of monitor, and you will see the saved video or images.
2. Use UP/DOWN button to select the video or file you want to see.
 - a. Selecting on the screen divided in four is made by pressing the UP button, which moves towards its bottom right-corner from the top-left corner of the screen.
 - b. Selecting on the screen divided in four is made by pressing the DOWN button, which moves towards its top-left corner from the bottom right-corner of the screen.
 - c. Page will be turned over to the next one at a time when UP button is pressed long time.
 - d. Page will be turned over to the previous one at a time when DOWN button is pressed long time.
3. Press the SELECT button to enlarge the saved picture.
4. Press the MENU button to return to the screen divided in four.

■ Deleting images manually.

1. Press the MENU button for long time to view the saved images.
2. Saved images can be chosen and shown on the screen with UP/DOWN buttons.
 - a. Selecting on the screen divided in four is made by pressing the UP button, which moves towards its bottom right-corner from the top-left corner of the screen.
 - b. Selecting on the screen divided in four is made by pressing the DOWN button, which moves towards its top-left corner from the bottom right-corner of the screen.
 - c. Page will be turned over to the next one at a time when UP button is pressed long time.
 - d. Page will be turned over to the previous one at a time when DOWN button is pressed long time.
3. Press the SELECT button to enlarge the saved picture.
4. An inquiry of picture deletion shall be shown on the screen when SELECT button is pressed.
5. Choose either YES or NO with UP/DOWN buttons and press the SELECT button to execute it. (After execution of deleting process, next image of the deleted file shall be shown on the screen.)

■ MENU Function.

1. TIME : Time setting function

- a. Press the MENU button in standby status to enter the MENU screen.



- b. Move to TIME section with UP/DOWN buttons and press the SELECT button.
 - c. Choose YEAR, MONTH, DAY, HOUR and MINUTE using UP/DOWN buttons and press the SELECT button to enter into subsection setting mode.
 - d. Set the time of each section on the menu with UP/DOWN buttons and press the SELECT button to end the setting.
 - e. After completion of time setting, press the MENU button to end time setting menu and return to previous MENU screen.
- ### 2. DELETE ALL : Function for erasing all saved video/images
- a. Press the MENU button in standby status to enter the MENU screen.
 - b. Move to DELETE ALL section with UP/DOWN buttons and press the SELECT button.
 - c. After entering DELETE ALL menu, YES/NO menu shall be shown to confirm your decision.
Press the SELECT button to confirm your order after selecting it with UP/DOWN buttons.
 - d. It will return to main MENU automatically after completion of selection.
- ### 3. AUTO SAVE : Function to save visitor' s image automatically
- a. Press the MENU button in standby status to enter the MENU screen.
 - b. Move to AUTO SAVE section with UP/DOWN buttons and press the SELECT button.
 - c. After entering AUTO SAVE mode, choose the one among CAPTURE/RECORD/NONE with UP/DOWN buttons and press the SELECT button.
 - d. It will return to main MENU automatically after completion of selection.
 - CAPTURE : Take a picture and save it automatically when there is a call from the door camera unit.
 - RECORD : Save video image for 5 seconds when there is a call from the door camera
 - NONE : Turn off CAPTURE and RECORD functions.

4. LANGUAGE : Function for selecting language

- a. Press the MENU button in standby status to enter the MENU screen.
- b. Move to LANGUAGE section with UP/DOWN buttons and press the SELECT button.
- c. After entering LANGUAGE mode, choose the one between ENGLISH/RUSSIAN with UP/DOWN buttons and press the SELECT button.
- d. It will return to main MENU automatically after completion of selection.

5. FACTORY SET : Function for Initializing the setting

- a. Press the MENU button in standby status to enter the MENU screen.
- b. Move to FACTORY SET section with UP/DOWN buttons and press the SELECT button.
- c. After entering FACTORY SET mode, choose either YES or NO with UP/DOWN buttons and press the SELECT button.
- d. It will return to main MENU automatically after completion of selection.

* Caution

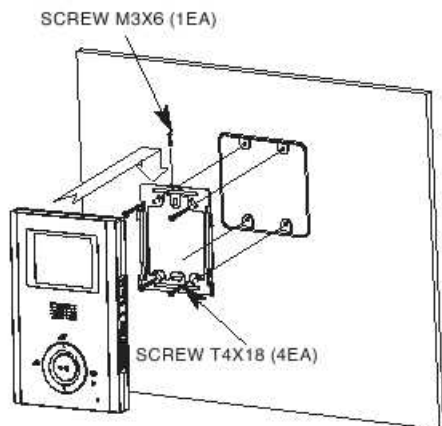
- Every saved picture and video image shall be deleted by execution of FACTORY SET.
- Bright, Contrast and Color value will be initialized by execution of FACTORY SET.
- AUTO SAVE mode shall be changed to CAPTURE mode after execution of FACTORY SET.

6. EXIT : Function to exit out of MENU

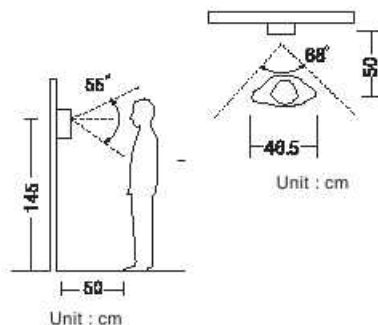
- a. Press the MENU button in standby status to enter the MENU screen.
- b. Move to EXIT section with UP/DOWN buttons and press the SELECT button.

5. Installation and Wiring

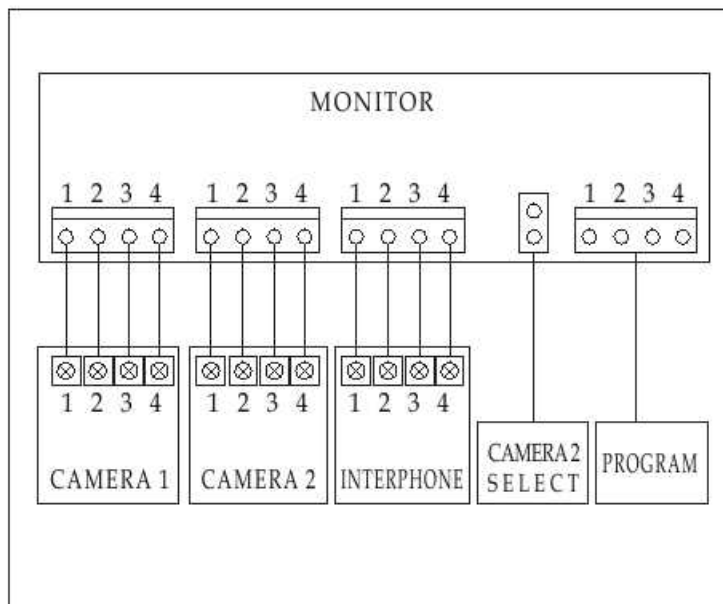
1) Monitor Installation



2) Standard Height of Monitor



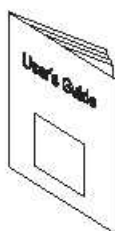
3) Wiring Diagram



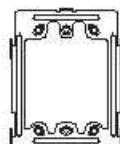
6. Package Contents



Monitor



Manual



Bracket



T4X18(4EA)
Wall bracket
Mounting Screw



M3X6(1EA)
Monitor
Fixing Screw



Connector
4p(2EA)



2P SHUNT
(Only No. 1 camera is available
if you insert 2P shunt(short pin))

7. Specifications

Model	CDV-35HM
Wiring	CAMERA : 4wires, INTERPHONE 4wires
Power source	100-240V~, 50/60Hz (FREE VOLTAGE)
Power consumption	MAX : 10W, Stand-by : 4.5W
Communication way	HANDS FREE type (Voice Switch)
Display	8.89Cm(3.5") COLOR TFT-LCD
Call sound	COMMAX chime : 2 times, Interphone : Electric chime
Video duration time	Stand-by : 30 seconds, On the line : 60 seconds
Distance	Entrance : 50m (Ø0.5), Interphone : 20m (Ø0.65)



8. Trouble shooting.

If you think that the product has trouble, please first check below contents before you ask a repair.

Troubles	Check Point	Actions
<ul style="list-style-type: none"> • The power supply is not on. • All works are stopped 	<ol style="list-style-type: none"> 1. The power supply cord is missing or not. 2. The power supply switch (down) is off or not. 	<ol style="list-style-type: none"> 1. Please connect the power supply cord 2. Please turn on the power supply switch (down) pushing to the right.
<ul style="list-style-type: none"> • A Call operation is not performed. (Door, Interphone function) 	<ol style="list-style-type: none"> 1. The wiring between other units is connected correctly in good order or not. 2. The wiring is missing or not. 	<ol style="list-style-type: none"> 1. Please refer to connection related page and manage. 2. Please connect correctly to the terminal.
<ul style="list-style-type: none"> • The product does not produce the sound. (Call volume, Talk volume) 	<ol style="list-style-type: none"> 1. A sound volume lies in minimum or not. 	<ol style="list-style-type: none"> 1. Please adjust the sound volume properly turning to the up, as you want.
<ul style="list-style-type: none"> • The screen is dark. • The screen is strange. 	<ol style="list-style-type: none"> 1. There is a strong reflected light behind the visitor or not. 2. The screen control is adjusted correctly. 	<ol style="list-style-type: none"> 1. Please change the angle of camera lens.



Memo

COMMAX

COMMAX Co.,Ltd.

513-11, Sangdaewon-dong, Jungwon-gu, Seongnam-si, Gyeonggi-do, Korea

Int'l Business Dept. Tel. : +82-31-7393-540~550 Fax. : +82-31-745-2133

Web site : www.commax.com

PM0735HM0010

Printed In Korea / 2013.02.104